



 **PORTA DAVIT** QUANTUM[®]

REIDLIFTING.COM

Our **PORTADAVIT** QUANTUM is a rapidly deployable, lightweight solution to heavy lifting and lowering of goods and personnel. Weighing from just 18.5kg when fully assembled, it can be manually operated by one person while maintaining a lifting capacity of up to 600kg.

> Key features

- > EN795:2012 Certified
- > ATEX Certified
- > Can support goods and personnel lifting;
 - > Goods WLL of up to 600kg
 - > Personnel WLL of up to 300kg
- > Ease of assembly with the use of just one pin, no tools required
- > Can be rotated 360° under a full load
- > Designed with a universal kingpin which is compatible for all REID sockets
- > Easy radius adjustment
- > Engineered designs and bespoke sections reduce weight, providing lightweight portability

> Configurations

The **PORTADAVIT** QUANTUM is available in a strop and winched version for use with a range of lifting equipment.



**600KG
WLL**



**1 PERSON
ASSEMBLY**



**FROM
18.5KG**



**EN795
CERTIFIED**



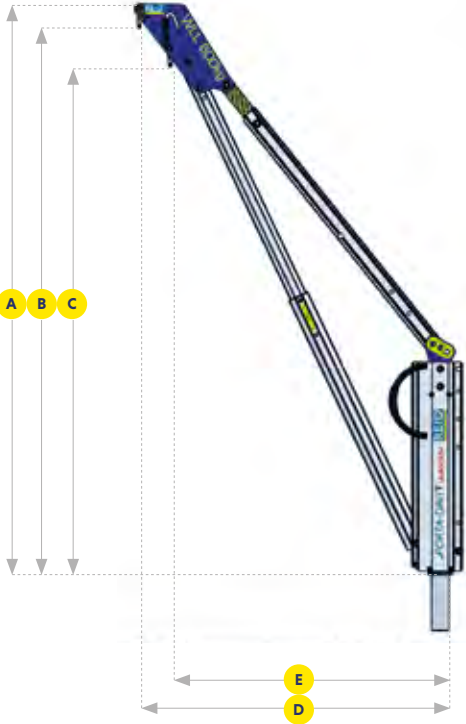
**ATEX
CERTIFIED**

> Features & Performance

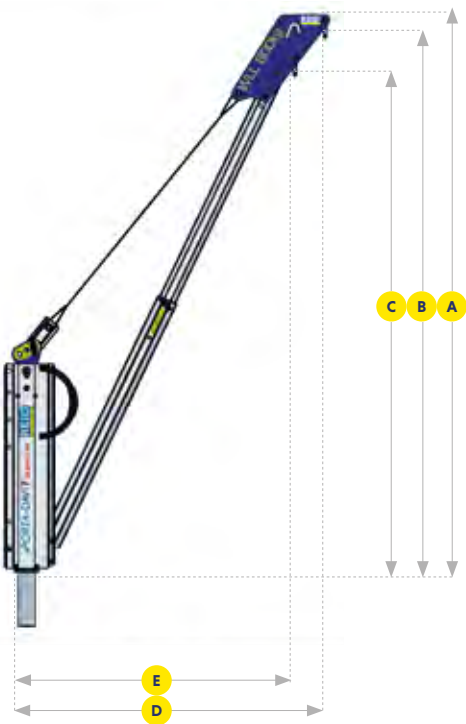
	PDQ 1	PDQ 2
Accreditations, Certifications & Standards		
EN795:2012	✓	✓
AS/NZS 5532:2013	✓	✓
ATEX Certified [Zone 2]	✓	✓
ATEX Certified [Zone 1]	Optional	Optional
IRATA	✓	x
Capacity		
Maximum Goods Lifting [kg]	600	500
Maximum Personnel Lifting [kg]	300	250
Fall Arrest [Persons]	1	1
Dimensions		
Maximum Reach [mm]	1200	1500
Maximum Height of Lift [mm]	2111	1957
Socket Diameter		
65mm	✓	✓
Socket Options		
Top Mount	✓	✓
Flush Mount	✓	✓
Side Mount	✓	✓
Bridge Mount	✓	✓
Pedestal	✓	✓
Extension Post	✓	✓
Standard Features		
One Piece Unit	✓	✓
Multiple Accessory Attachment	✓	✓
Shackle Lifting Points	✓	✓
Weight < 25kg	✓	✓
Optional Extras		
Winch Capable	✓	✓
Rotational Handle	✓	✓
Finishes		
Anodised	✓	✓
316SS Fixings	Optional	Optional
Marine Spec	Optional	Optional

- A Overall height
- B Height to outer shackle
- C Height to inner shackle
- D Radius to outer shackle
- E Radius to inner shackle

WINCHED [Type W]



STROP [Type S]



Product Code	WLL	Radius Adjustment Points	Dimensions [mm]				
			A	B	C	D*	E*
PDQ1S	600kg	1	2007	1935	1799	1200	1100
		2	2061	1989	1848	1100	1000
PDQ1W		3	2111	2039	1892	1000	900

PDQ2S	500kg	1	1837	1766	1647	1500	1400
		2	1899	1827	1703	1400	1300
PDQ2W		3	1957	1885	1755	1300	1200

*Radii achieved at 75% WLL

REID Lifting

Unit 1 Wyeview,
Newhouse Farm Ind. Estate
Chepstow, Monmouthshire
NP16 6UD UK

- +44 (0)1291 620 796
- +44 (0)1291 626 490 (Fax)
- enquiries@reidlifting.com
- www.reidlifting.com